



The Leader In Advanced Systems Integration  
Advanced Dental Systems® & Advanced Endodontic Systems®  
www.asiDental.com | (303) 766-3646

## Technical Guideline

### Installing an Air Pressure Safety Relief Valve

TG-95-0349

Rev C | 01/21/19 | Page 1 of 4

#### WARNINGS



**WARNING!** Only qualified personnel should service or repair this device. This device should only be serviced/repared by a qualified service technician who is proficient in the repair of electromechanical dental equipment and who understands the complexities and risks of working within the device and observes proper safety precautions.



**WARNING – Compressed Air.** The compressed air system that operates this unit is under pressure. Compressed air can propel dust or loose particles and can cause bodily injury or damage. Always turn the system off and bleed off air pressure before attaching or removing air lines or accessories or servicing this unit. All air lines should be periodically inspected and replaced if worn or damaged. If an outside compressed air supply is used to power this unit, the air supply must be regulated to 80 psi or below. Excessive air pressure could cause certain components to rupture.



**WARNING – Electrical Voltage.** This system is powered by high voltage electricity. Like any other electrically powered device, if it is not used properly, it can cause electrical shock. Always plug the power cord into an electrical outlet with adequate fuse protection and proper grounding. In the event of a short circuit, grounding reduces the risk of shock by providing an escape wire for the electric current. Improper grounding of the unit can result in a risk of electric shock. Always unplug the unit before doing any service or repair to the unit.

---

#### PARTS INCLUDED

- 90psi safety relief valve with 1/8" ID barb connectors
- 1/4" OD tubing sleeve
- Cable tie

#### TOOLS REQUIRED

- Phillips head screwdriver
- Side cutters or tubing cutters
- Sleeve tool

---

#### INSTRUCTIONS

1. Turn off main power. Unplug unit from outlet and air supply to unit.
-



The Leader In Advanced Systems Integration  
Advanced Dental Systems® & Advanced Endodontic Systems®  
www.asiDental.com | (303) 766-3646

## Technical Guideline

### Installing an Air Pressure Safety Relief Valve

TG-95-0349

Rev C | 01/21/19 | Page 2 of 4

2. Remove the old safety relief valve. Disconnect tubing and cut cable tie to release.



Fig. 1

3. If the safety relief valve that you removed has only two connections for tubing (Fig. 2), you will need to replace the barbs on the new safety relief valve with plugs and nylon washers (provided); see Fig. 3.

If the safety relief valve that is being replaced has four connections for tubing (Fig. 4), no modification to the safety relief valve is required.



Fig. 2

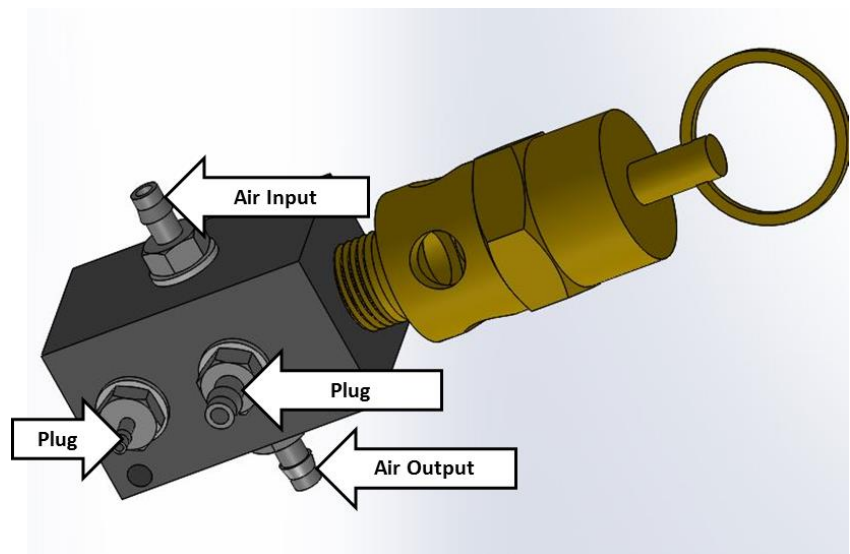


Fig. 3



The Leader In Advanced Systems Integration  
Advanced Dental Systems® & Advanced Endodontic Systems®  
www.asiDental.com | (303) 766-3646

## Technical Guideline

### Installing an Air Pressure Safety Relief Valve

TG-95-0349

Rev C | 01/21/19 | Page 3 of 4

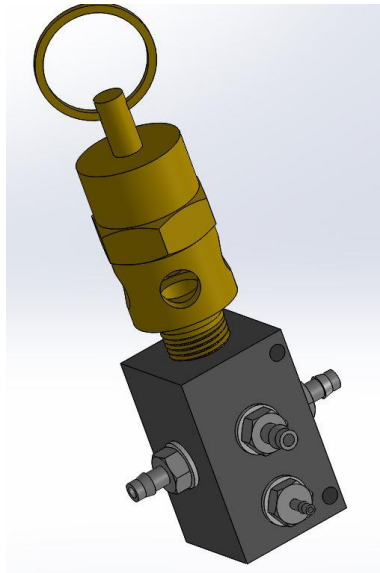


Fig. 4

4. Installing the new safety relief valve according to Fig. 5.

a. Use the provided sleeves when connecting the tubing.

**NOTE:** The Foot Control barb and the DCWS barb will not be used if the previous safety relief valve only had two connections, these will be plugged per step 3.

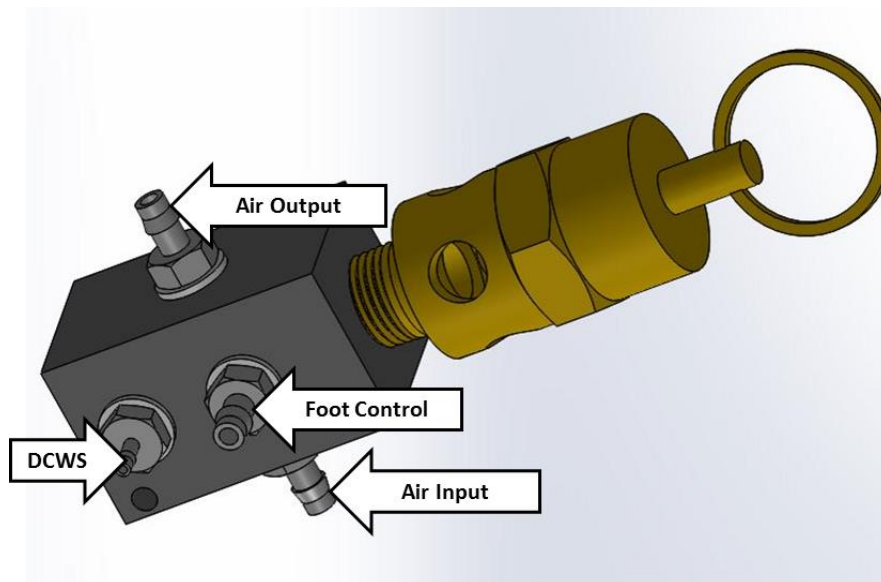


Fig.5



# ASI

The Leader In Advanced Systems Integration  
Advanced Dental Systems® & Advanced Endodontic Systems®  
www.asiDental.com | (303) 766-3646

## Technical Guideline

### Installing an Air Pressure Safety Relief Valve

TG-95-0349

Rev C | 01/21/19 | Page 4 of 4

5. Reattach the safety relief device using a cable tie.

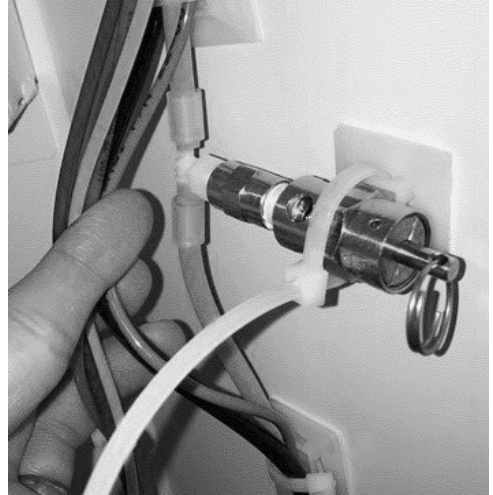


Fig. 5