



The Leader In Advanced Systems Integration
Advanced Dental Systems® & Advanced Endodontic Systems®
www.asimedical.net | (303) 766-3646

Technical Guideline

Air/Water Syringe Service

TG-95-0089

Rev A | 11/18/16 | Page 1 of 3

PURPOSE

The purpose of this Technical Guide is to provide instructions for installing the service kit for the Air/Water and Air Only Syringes.

WARNINGS



WARNING! Only qualified personnel should service or repair this device. This device should only be serviced/repared by a qualified service technician who is proficient in the repair of electromechanical dental equipment and who understands the complexities and risks of working within the device and observes proper safety precautions.



WARNING – Compressed Air. The compressed air system that operates this unit is under pressure. Compressed air can propel dust or loose particles and can cause bodily injury or damage. Always turn the system off and bleed off air pressure before attaching or removing air lines or accessories or servicing this unit. All air lines should be periodically inspected and replaced if worn or damaged. If an outside compressed air supply is used to power this unit, the air supply must be regulated to 80 psi or below. Excessive air pressure could cause certain components to rupture.



WARNING – Infectious Materials. Infectious disease workplace safety protocols to safeguard against cross contamination of infectious disease should always be observed. When maintaining the suction system or emptying the contents of the suction waste container, safe precautions and practices including the wearing of face mask, eye protection and gloves are to be followed.



CAUTION! The irrigation system may contain chemicals that are caustic or corrosive. Always verify with the operator of the system to determine which chemicals they are using within the system. Always follow workplace safety protocols when doing maintenance or service of the system including the wearing of face mask, eye protection and gloves for proper protection of exposed skin, breathing and eyes.

PARTS INCLUDED

- Replacement O-Rings
- Replacement springs
- 2-button assemblies
- O-ring grease

TOOLS REQUIRED

- Allen wrench
- Small screwdriver or punch



The Leader In Advanced Systems Integration
Advanced Dental Systems® & Advanced Endodontic Systems®
www.asimedical.net | (303) 766-3646

Technical Guideline

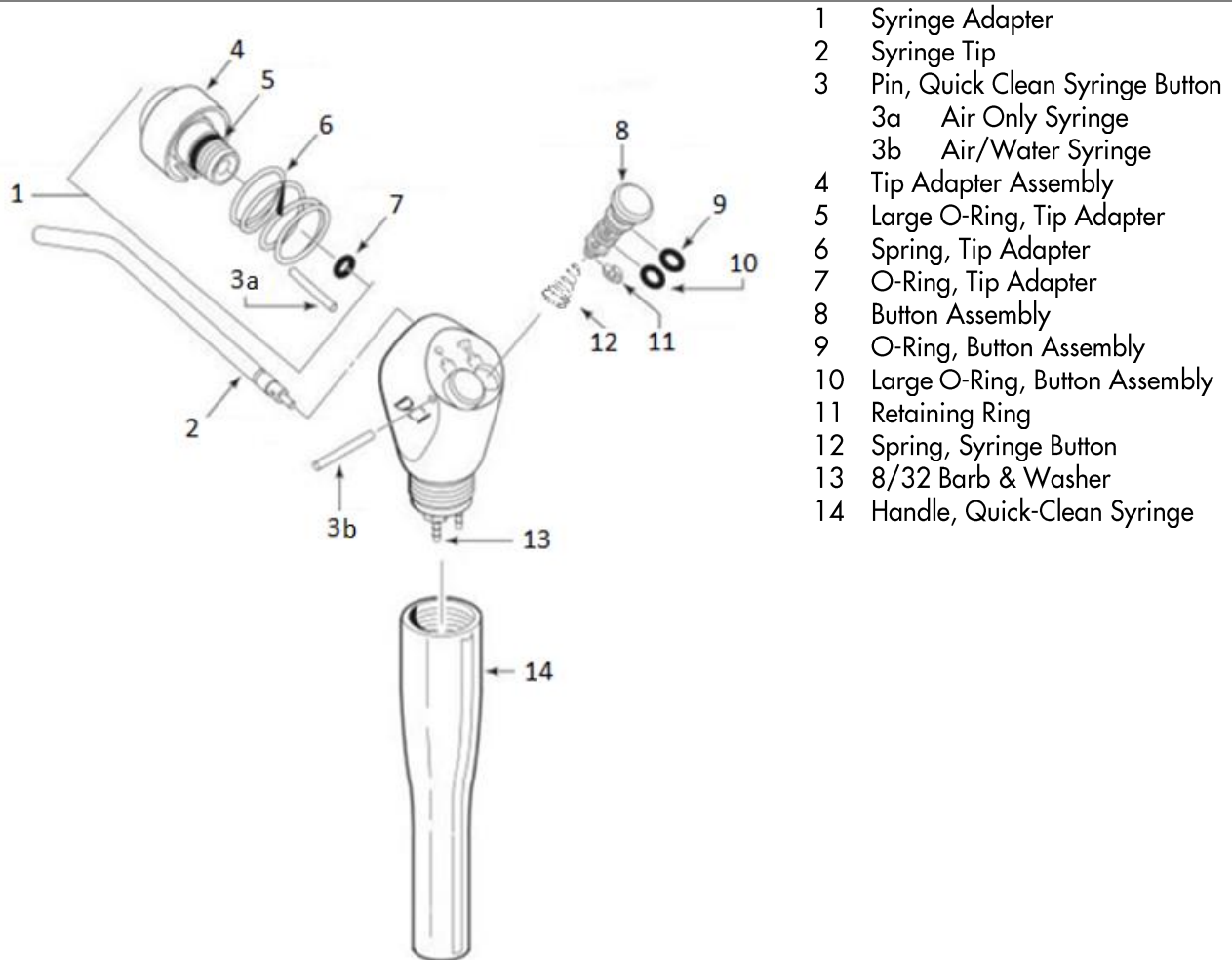
Air/Water Syringe Service

TG-95-0089

Rev A | 11/18/16 | Page 2 of 3

INSTRUCTIONS

1. Air/Water Syringe Diagram



- 1 Syringe Adapter
- 2 Syringe Tip
- 3 Pin, Quick Clean Syringe Button
 - 3a Air Only Syringe
 - 3b Air/Water Syringe
- 4 Tip Adapter Assembly
- 5 Large O-Ring, Tip Adapter
- 6 Spring, Tip Adapter
- 7 O-Ring, Tip Adapter
- 8 Button Assembly
- 9 O-Ring, Button Assembly
- 10 Large O-Ring, Button Assembly
- 11 Retaining Ring
- 12 Spring, Syringe Button
- 13 8/32 Barb & Washer
- 14 Handle, Quick-Clean Syringe

2. Remove the Syringe Tip (Item 2) by pressing down the retention ring located on the Tip Adapter Assembly (Item 4).

3. For Air-only Syringe service, the Pin, Quick Clean Syringe Button (Item 3a) will be located under the Syringe Adapter (Item 4) and can be easily removed by pulling it straight out.

For Air/Water Syringe service, the Pin, Quick Clean Syringe Button (Item 3b) is inserted from the side and must be pushed out with a small screwdriver or punch.

4. Once the syringe is disassembled, start removing the O-Rings one at a time and carefully replace them with the ones provided.



The Leader In Advanced Systems Integration
Advanced Dental Systems® & Advanced Endodontic Systems®
www.asimedical.net | (303) 766-3646

Technical Guideline

Air/Water Syringe Service

TG-95-0089

Rev A | 11/18/16 | Page 3 of 3

- When reinstalling the Button Assembly, verify that the Springs are in the orientation shown in Fig. 1 so the large end is to the bottom.

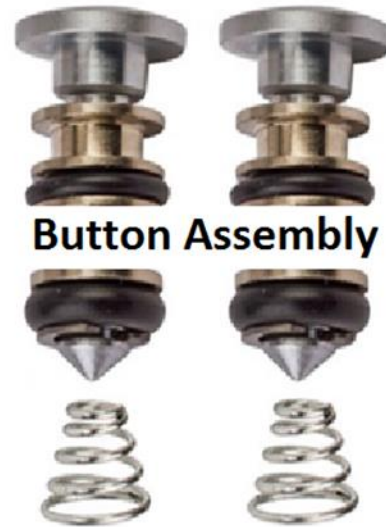


Fig. 1

- Once the Buttons are installed, press them down while reinserting the Pin, Quick Clean Syringe Button (Item 3). Insert the Pin until it is fully seated.
- To reinstall the Syringe Adapter (Item 1), reinsert the Spring, Tip Adapter (Item 6) and thread the Tip Adapter Assembly (Item 4) back in place. Using the Allen wrench provided, gently secure the Tip Adapter Assembly, but do not over tighten.
- Reinsert the Syringe Tip (Item 2) and test the Syringe for proper function.