



The Leader in Advanced Systems Integration  
Advanced Dental Systems® & Advanced Endodontic Systems®  
www.asimedical.net | (303) 766-3646

## Technical Guideline

### Arm Pin/Socket Retrofit Kit

TG-95-0384

Rev A | 05/30/18 | Page 1 of 2



**WARNING!** Only qualified personnel should service or repair this device. This device should only be serviced/repaired by a qualified service technician who is proficient in the repair of electromechanical dental equipment and who understands the complexities and risks of working within the device and observes proper safety precautions.

#### PARTS INCLUDED

- Holder Arm Retrofit Kit

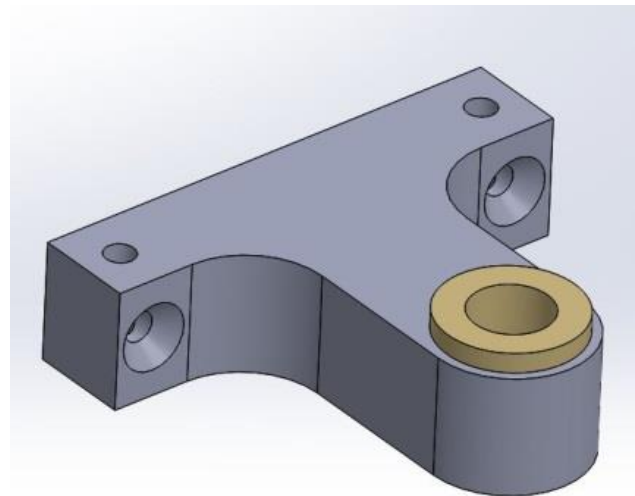
#### TOOLS REQUIRED

- Phillips head screwdriver
- 5/64" Allen Wrench

#### INSTRUCTIONS

1. Turn off main power. Unplug unit from outlet and air supply to unit.
2. Remove the screws holding the mounting bracket to the cart.
3. Install the new mounting bracket onto the cart using the provided screws.

**NOTE:** Make sure the flange on the bearing is facing up, see **Fig. 1**.



**Fig. 1**



The Leader in Advanced Systems Integration  
Advanced Dental Systems® & Advanced Endodontic Systems®  
www.asimedical.net | (303) 766-3646

## Technical Guideline

### Arm Pin/Socket Retrofit Kit

TG-95-0384

Rev A | 05/30/18 | Page 2 of 2

4. Remove the hardware from the arm that was connected to the old mounting block.
5. Install the pivot shaft pin into the arm, so that the pin hangs out the bottom of the arm. **(Fig. 2)**

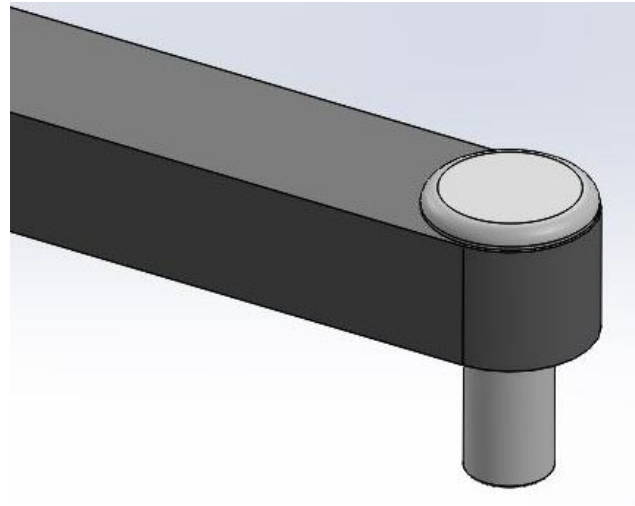


Fig.2

6. Insert the pin from the arm into the mounting block. **(Fig. 3)**

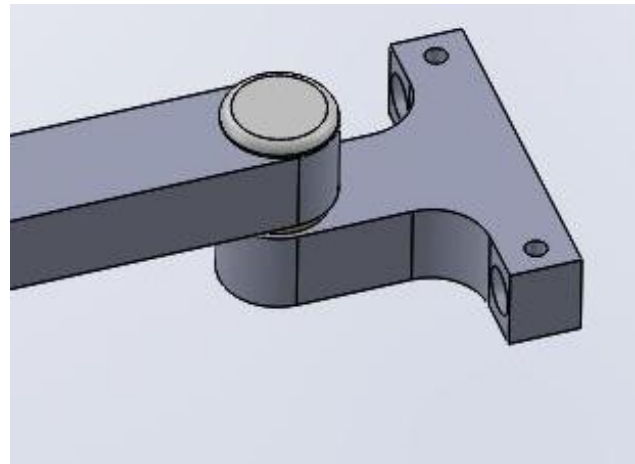


Fig. 3