



The Leader in Advanced Systems Integration
Advanced Dental Systems® & Advanced Endodontic Systems®
www.asimedical.net | (303) 766-3646

Technical Guideline

Suction Canister Indicator Retrofit Kit

TG-95-0366

Rev C | 01/22/18 | Page 1 of 6

PURPOSE

The purpose of this technical guideline is to provide steps to install a Suction Canister Indicator into an existing cart.



WARNING! Only qualified personnel should service or repair this device. This device should only be serviced/repared by a qualified service technician who is proficient in the repair of electromechanical dental equipment and who understands the complexities and risks of working within the device and observes proper safety precautions.



WARNING – Compressed Air. The compressed air system that operates this unit is under pressure. Compressed air can propel dust or loose particles and can cause bodily injury or damage. Always turn the system off and bleed off air pressure before attaching or removing air lines or accessories or servicing this unit. All air lines should be periodically inspected and replaced if worn or damaged. If an outside compressed air supply is used to power this unit, the air supply must be regulated to 80 psi or below. Excessive air pressure could cause certain components to rupture.



WARNING – Electrical Voltage. This system is powered by high voltage electricity. Like any other electrically powered device, if it is not used properly, it can cause electrical shock. Always plug the power cord into an electrical outlet with adequate fuse protection and proper grounding. In the event of a short circuit, grounding reduces the risk of shock by providing an escape wire for the electric current. Improper grounding of the unit can result in a risk of electric shock. Always unplug the unit before doing any service or repair to the unit.

PARTS INCLUDED

- Relay Module
- Relay [95-0370]
- LED
- Wire
- Relay Label
- Suction Full Label
- Technical Guideline TG-NP-0009, "Terminal Block Description and Usage"

TOOLS REQUIRED

- Phillips head screwdriver
- Flat head screwdriver (small)
- Wire strippers

INSTRUCTIONS

1. Turn off main power. Unplug unit from electrical outlet and air supply to unit.

2. Remove the worktop and remove the top cover.



The Leader in Advanced Systems Integration
 Advanced Dental Systems® & Advanced Endodontic Systems®
 www.asimedical.net | (303) 766-3646

Technical Guideline

Suction Canister Indicator Retrofit Kit

TG-95-0366

Rev C | 01/22/18 | Page 2 of 6

- Open the back door of the chassis, and locate the relay (95-0328) on the left side, near the suction canister. Remove all wires from the relay and remove the relay from the cart.
- Install new relay (95-0370) reinstall the wires into the same terminals on the new relay.



Fig. 1

- Route the 30" blue wire connected to the relay module (A2) (Fig. 3) and route it down the hole in the baseplate to the chassis.

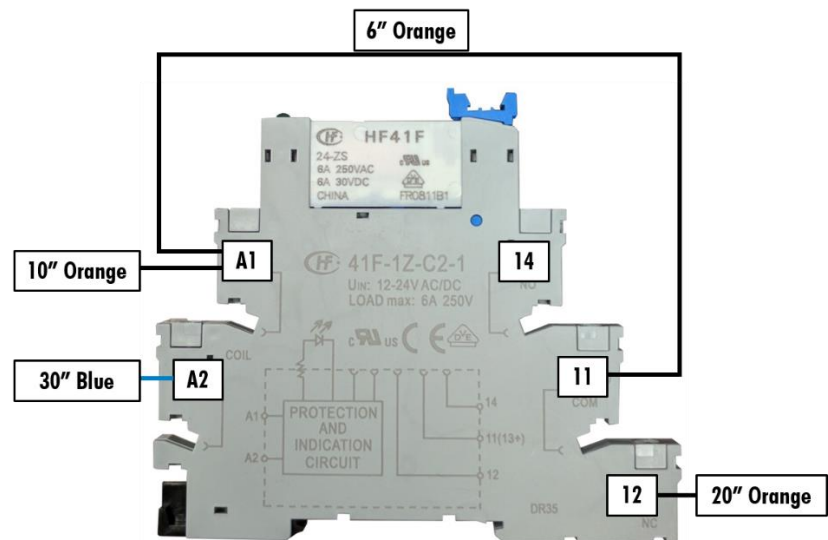


Fig. 3



The Leader in Advanced Systems Integration
Advanced Dental Systems® & Advanced Endodontic Systems®
www.asimedical.net | (303) 766-3646

Technical Guideline

Suction Canister Indicator Retrofit Kit

TG-95-0366

Rev C | 01/22/18 | Page 3 of 6

6. Install the blue wire into the bottom right terminal (3/A1) of relay (95-0328) with the white wire. (Fig. 4)

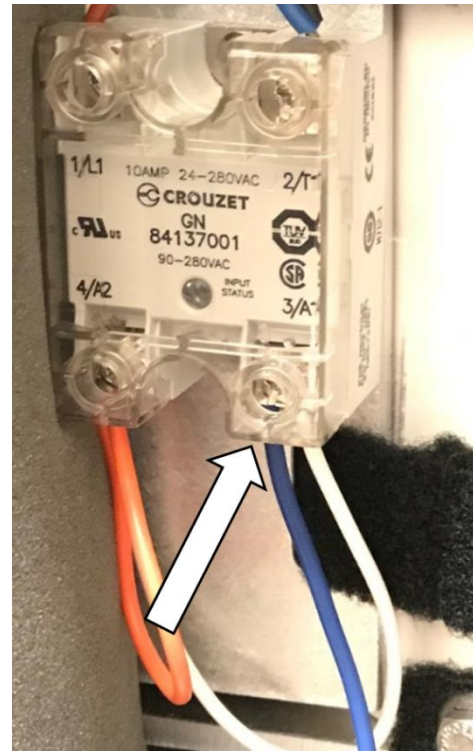


Fig. 4

7. Remove the grey DIN rail cap piece using a small flat head screwdriver and lightly prying the clamp back.
8. Snap the new relay socket onto the DIN rail and re-install the grey DIN rail cap.

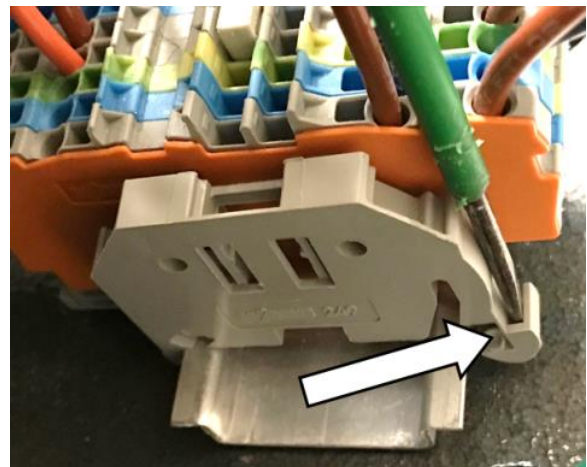


Fig. 5



The Leader in Advanced Systems Integration
Advanced Dental Systems® & Advanced Endodontic Systems®
www.asimedical.net | (303) 766-3646

Technical Guideline

Suction Canister Indicator Retrofit Kit

TG-95-0366

Rev C | 01/22/18 | Page 4 of 6

- Find the black wire that is connected to the vacuum on/off switch and remove the end that is connected to the terminal block.
- Take the vacuum switch wire and the 10" orange wire connected to terminal A1 of the relay module and twist them together. Then connect these wires to one of the yellow wires from the transformer, using one of the provided wire nuts.



Fig. 6

- In the back of the chassis find the white euro strip. Disconnect the white float switch and route it up to the pan.

Note – Reference the wiring schematic label to help find the white float switch wire.

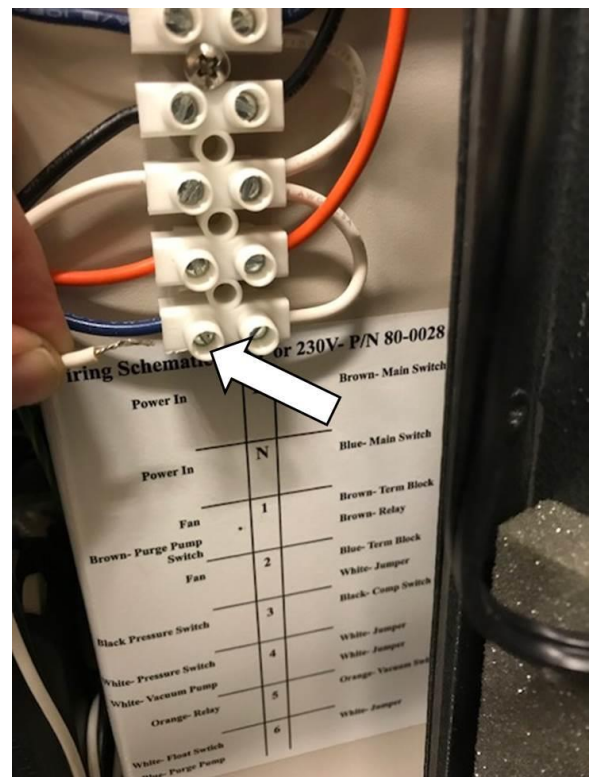


Fig. 7



The Leader in Advanced Systems Integration
Advanced Dental Systems® & Advanced Endodontic Systems®
www.asimedical.net | (303) 766-3646

Technical Guideline

Suction Canister Indicator Retrofit Kit

TG-95-0366

Rev C | 01/22/18 | Page 5 of 6

12. Install the LED indicator into one of the 1/2" holes on the pan, removing the plug to do so.



Fig. 8

13. Take the 20" orange wire from the relay module and connect it to one of the LED wires using a provided wire nut.
14. Then taking the loose 20" piece of orange wire connect one end to the LED and the other connect to the white float switch and the remaining yellow wire from the transformer.

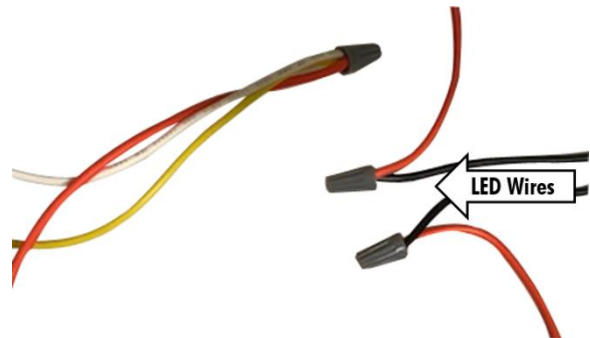


Fig. 9

15. Re-install the cover and worktop.



The Leader in Advanced Systems Integration
Advanced Dental Systems® & Advanced Endodontic Systems®
www.asimedical.net | (303) 766-3646

Technical Guideline

Suction Canister Indicator Retrofit Kit

TG-95-0366

Rev C | 01/22/18 | Page 6 of 6

Wiring Schematic

